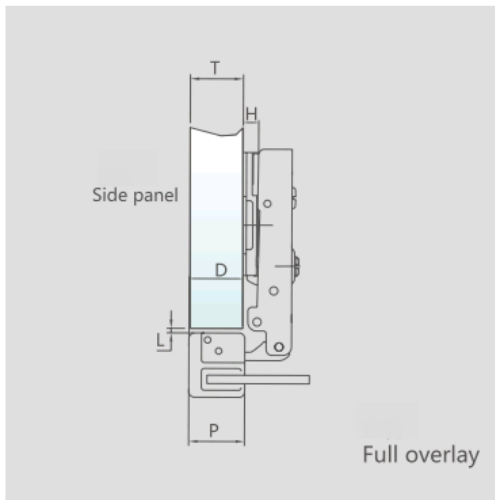


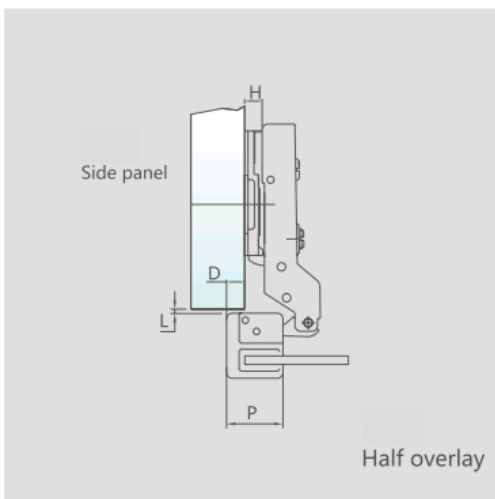
## RAL01



$$H=P-4-D$$

D \ p	19	20	21	22	23	
H	0	15	16	17	18	19
2	13	14	15	16	17	
4	11	12	13	14	15	

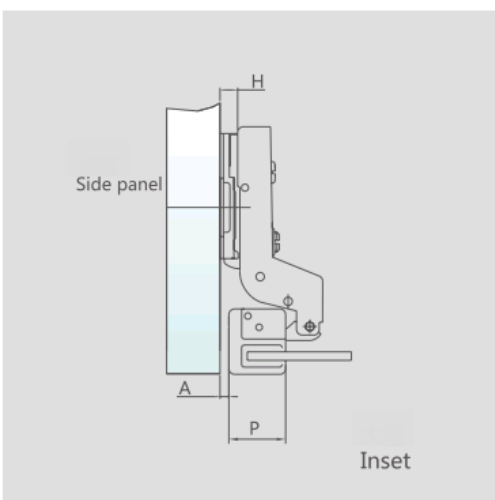
## RAL02



$$H=P-12-D$$

D \ p	19	20	21	22	23	
H	0	7	8	9	10	11
2	5	6	7	8	9	
4	3	4	5	6	7	

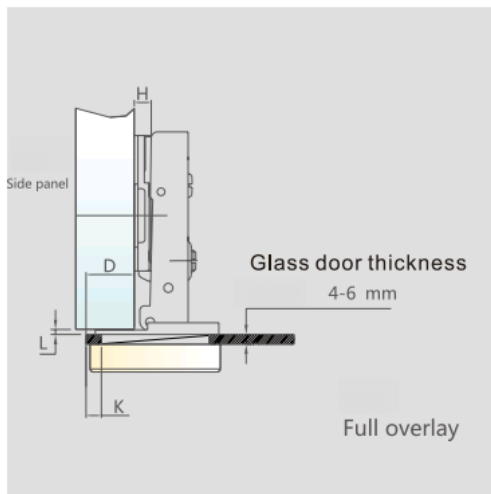
## RAL03



$$H=P-19+A$$

D \ p	19	20	21	22	23	
H	0	0	-1	-2	-3	-4
2	2	1	0	-1	-2	
4	4	3	2	1	0	

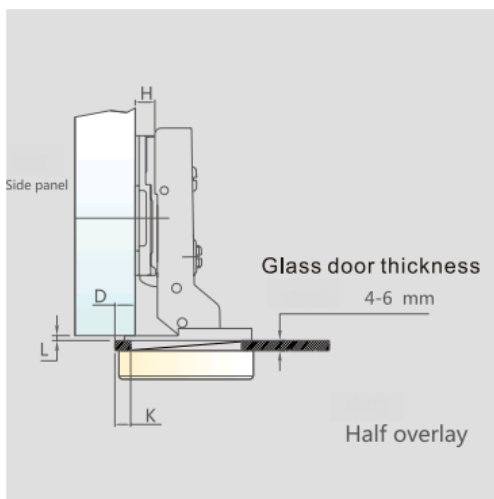
## RGL01



$$H=14+K-D$$

D \ K	3	4	5	6
0	17	18	19	20
2	15	16	17	18
4	13	14	15	16

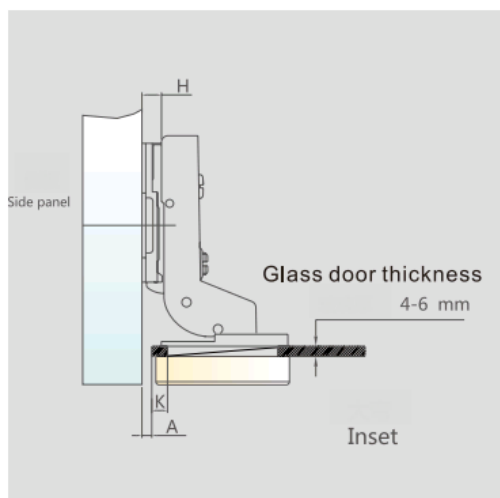
## RGL02



$$H=4+K-D$$

D \ K	3	4	5	6
0	7	8	9	10
2	5	6	7	8
4	3	4	5	6

## RGL03



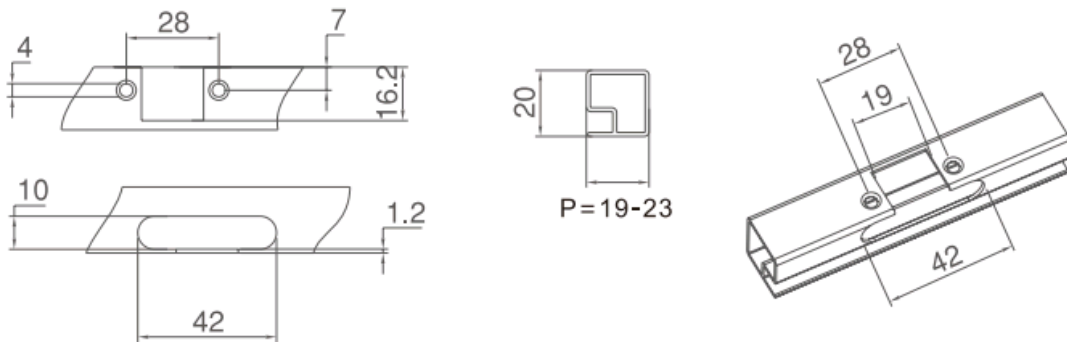
$$H=4+K+A$$

A \ K	3	4	5	6
0	1	0	-1	-2
2	3	2	1	0
4	5	4	3	2

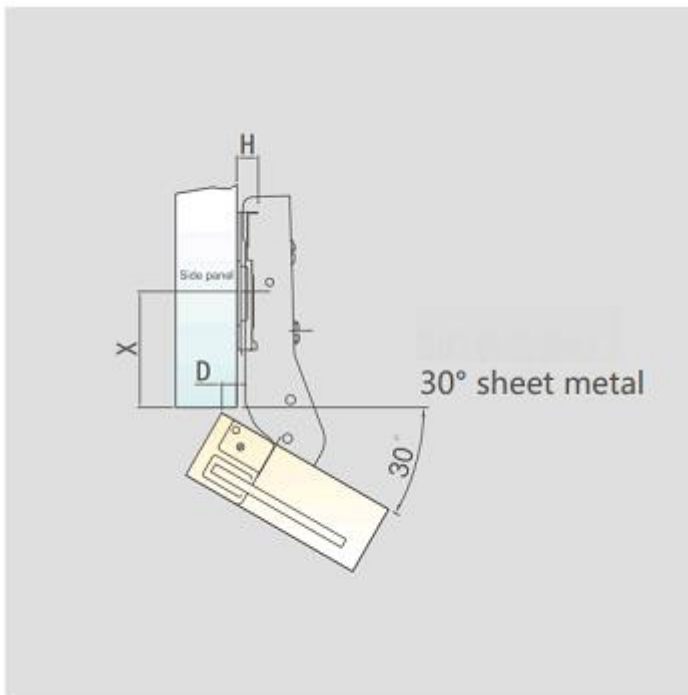
# TAL RAL

With screws : 4\*6mm

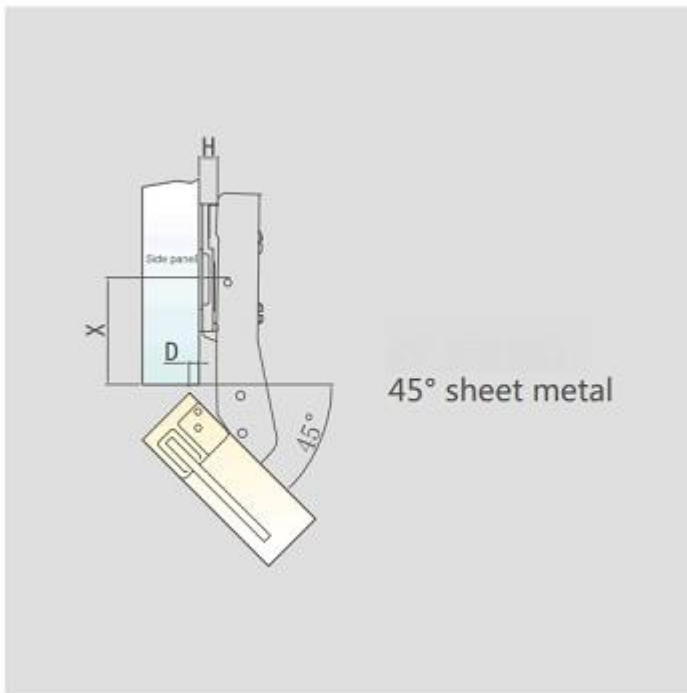
- Opening Degree : 105°
- Drilling holes distance on aluminum frame hinge : 28mm
- Available with of aluminum frame : 19-23mm



# TAL01



## TAL02



## TAL03

